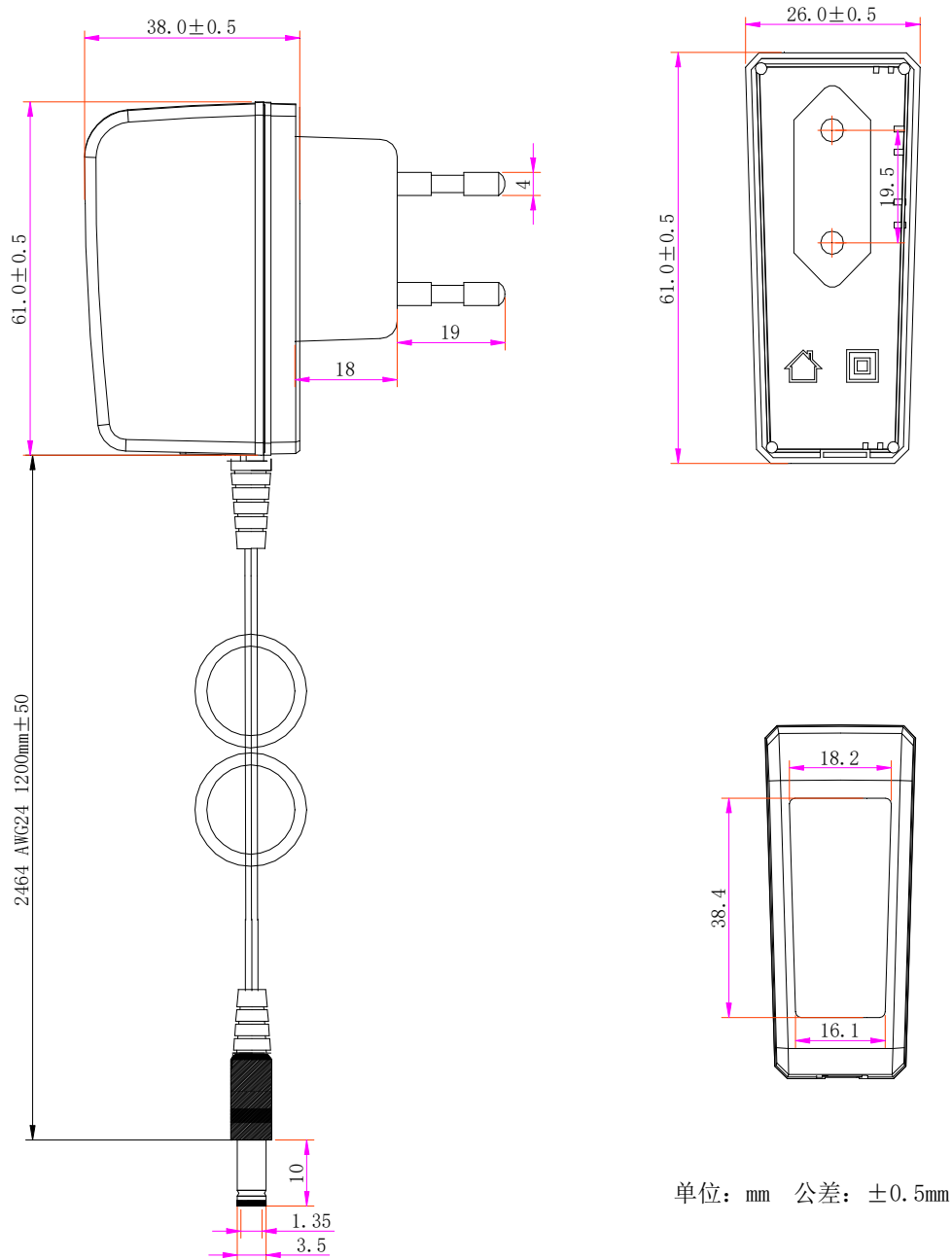


SWITCHING ADAPTER SPECIFICATIONS

14. OUTLOOK DRAWIN

外观图



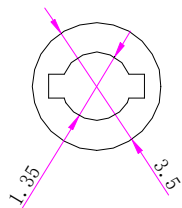
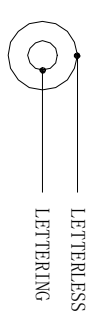
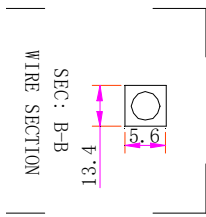
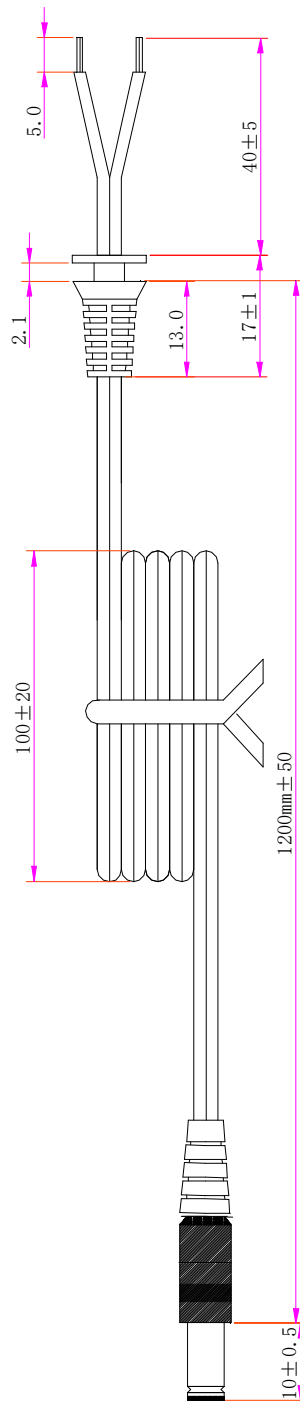
单位: mm 公差:  $\pm 0.5 \text{ mm}$

SWITCHING ADAPTER SPECIFICATIONS

15. OUTPUT WIRE & PLUG SPECIFICATION

输出线材规格及 PLUG 规格

1. CORD MATERIAL: 2464 AWG24\*2C.
2. DC PLUG TYPE: 3.5\*1.35\*1.0mm 直头音叉
3. INSULATION: PVC 3.5mm diameter
4. OUT JACKET: PVC. COLOR: Black.
5. TEMPERATURE: 80 ° C.
6. Unit: mm



TEST MODE:

DC3.5\*1.35MALE  
(TUNING FORK BLACK)